



Aggregate und Werkzeuge

www.dynaset-hydraulik.de info@kw-hydraulik.de +49 3675 421 980



## DATA SHEET

### HYDRAULIC SCREW COMPRESSORS



rev 1.3

HKR 500 /10-29

HKR 600 /15-26

HKR 800 /10-43

HKR 1300 /10-30

HKR 2000 /10-53

HKR 2500 /10-67

HKR 4000 /10-104

HKR 5000 /10-137

HKR 7500 /10-183

HKR 11000 /10-184

HKR 11000 /10-270

### HYDRAULIC SCREW COMPRESSOR

DYNASET HKR hydraulic screw compressors are compact and integrated all-in-one units, especially designed for mobile installation. The only power source needed is a hydraulic system of base machine which provides compressor the required hydraulic flow and pressure.

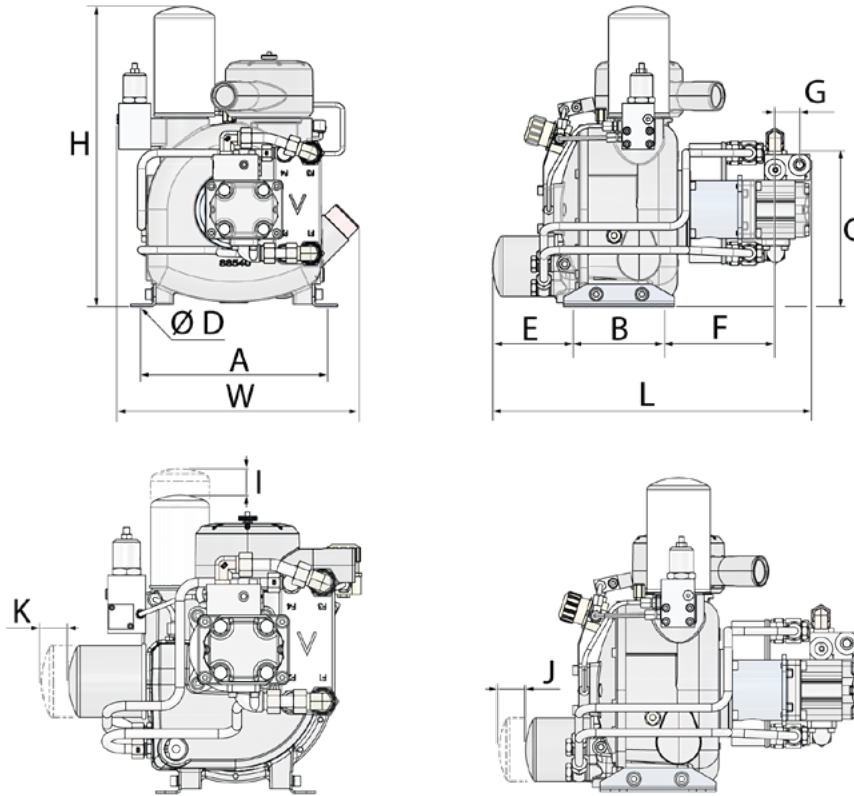
HKR compressor converts the hydraulic power into high quality compressed air and it can be installed in almost any working machine.

The power-to-size ratio of the hydraulic compressor is excellent. In most cases, it can replace the old fashioned and clumsy towed compressor unit – with only a fraction of size and weight.

The compressor produces high quality compressed air which are used to power for example pneumatic tools, filling tires, air flushing, purge air protection equipments, cleaning equipments and CAFS foam generation.

The trouble free hydraulic compressor starts reliably and needs no extra fuel. It will serve a long time – with far less need for maintenance compared to a towed compressor unit of same power level.

### DIMENSIONS



MODEL	DIMENSIONS, mm (in)										Space required for filter demounting, mm (in)			WEIGHT kg (lbs)
	L	W	H	A	B	C	D	E	F	G	I	J	K	
<b>HKR 500 /10-29</b>	450 (17.7)	350 (13.8)	390 (15.4)	288 (9.0)	140 (5.5)	218 (8.6)	13 (0.51)	125 (4.9)	165 (6.5)	53 (2.1)	240 (9.5)	-	15 (0.6)	43 (94.8)
<b>HKR 600 /15-26</b>	490 (19.3)	371 (14.6)	461 (18.1)	288 (9.0)	140 (5.5)	275 (10.8)	13 (0.51)	125 (4.9)	170 (6.7)	38 (1.5)	240 (9.5)	25 (1.0)	-	43 (94.8)
<b>HKR 800 /10-43</b>	450 (17.7)	350 (13.8)	390 (15.4)	288 (9.0)	140 (5.5)	218 (8.6)	13 (0.51)	125 (4.9)	165 (6.5)	53 (2.1)	240 (9.5)	-	15 (0.6)	43 (94.8)
<b>HKR 1300 /10-37</b>	490 (19.3)	455 (17.9)	453 (17.8)	285 (11.2)	176 (6.9)	275 (10.8)	13 (0.51)	75 (3.0)	180 (7.1)	60 (2.4)	240 (9.5)	-	-	74 (163.1)
<b>HKR 2000 /10-53</b>	490 (19.3)	455 (17.9)	453 (17.8)	285 (11.2)	176 (6.9)	275 (10.8)	13 (0.51)	75 (3.0)	180 (7.1)	60 (2.4)	240 (9.5)	-	-	74 (163.1)
<b>HKR 2500 /10-67</b>	490 (19.3)	455 (17.9)	453 (17.8)	285 (11.2)	176 (6.9)	275 (10.8)	13 (0.51)	75 (3.0)	180 (7.1)	60 (2.4)	240 (9.5)	-	-	74 (163.1)
<b>HKR 4000 /10-104</b>	650 (25.6)	520 (20.5)	574 (22.6)	160 (6.3)	160 (6.3)	390 (15.4)	13 (0.51)	143 (5.6)	249 (9.8)	37 (1.5)	240 (9.5)	-	-	137 (302.0)
<b>HKR 5000 /10-137</b>	670 (26.4)	520 (20.5)	574 (22.6)	160 (6.3)	160 (6.3)	390 (15.4)	13 (0.51)	143 (5.6)	249 (9.8)	37 (1.5)	240 (9.5)	-	-	137 (302.0)
<b>HKR 7500 /10-183</b>	779 (30.7)	622 (24.5)	722 (28.4)	423 (16.7)	210 (8.3)	416 (16.4)	14 (0.55)	191 (7.5)	286 (11.3)	53 (2.1)	240 (9.5)	-	-	270 (595.2)
<b>HKR 11000 /10-184</b>	1603 (63.1)	799 (31.5)	946 (37.2)	484 (19.1)	150 (5.9)	761 (30.0)	17 (0.7)	464 (18.3)	443 (17.4)	66 (2.6)	240 (9.5)	150 (5.9)	-	377 (831)
<b>HKR 11000 /10-270</b>	1618 (63.7)	799 (31.5)	946 (37.2)	484 (19.1)	150 (5.9)	761 (30.0)	17 (0.7)	464 (18.3)	459 (17.4)	66 (2.6)	240 (9.5)	150 (5.9)	-	382 (842)

### PARAMETERS

		HKR 500 /10-29	HKR 600 /15-26	HKR 800 /10-43	HKR 1300 /10-37	HKR 2000 /10-53
<b>DISCHARGE CHARACTERISTICS</b>						
Flow rate max. at ref. conditions *	l/min (cfm)	500 (17.7)	600 (21.2)	800 (28.3)	1300 (45.9)	2000 (70.6)
Pressure max.	bar (psi)	10 (145)	15 (218)	10 (145)		
Compressed air connection	AP	BSP 1/2"	BSP 1/2"	BSP 1/2"	BSP 3/4"	BSP 3/4"
<b>HYDRAULIC POWER REQUIREMENTS</b>						
Oil flow min.	l/min (gpm)	19 (5.0)	16 (4.2)	21 (5.6)	27 (7.1)	30 (7.9)
Oil flow nom.	l/min (gpm)	29 (7.7)	26 (6.9)	43 (11.4)	37 (9.9)	53 (14.0)
Oil flow max.	l/min (gpm)	30 (7.9)	30 (7.9)	45 (11.9)	40 (10.6)	55 (14.5)
Pressure at nominal flow	bar (psi)	123 (1780)	195 (2830)	135 (1960)	205 (2970)	205 (2970)
Pressure max.	bar (psi)	230 (3340)	230 (3340)	230 (3340)	230 (3340)	230 (3340)
Pressure when unloaded	bar (psi)	80 (1160)	-	100 (1450)	130 (1890)	130 (1890)
<b>HYDRAULIC FLUID REQUIREMENTS</b>						
Viscosity	cSt	10-200 / optimum 25-35				
Temperature **	°C (°F)	max. 70 (158)				
Filter ratio	µm	25 or better				
Cooling capacity requirement	kW	4	5	6	7	11
<b>COMPRESSOR OIL REQUIREMENTS</b>						
Oil fill	l (gal)	2.5 (0.66)	3.5 (0.92)	2.5 (0.66)	4.9 (1.29)	4.9 (1.29)

Gallons are U.S. liquid gallons

\* According to ISO 1217 (1996) at discharge pressure of 6 bar

\*\* Depending on hydraulic fluid.

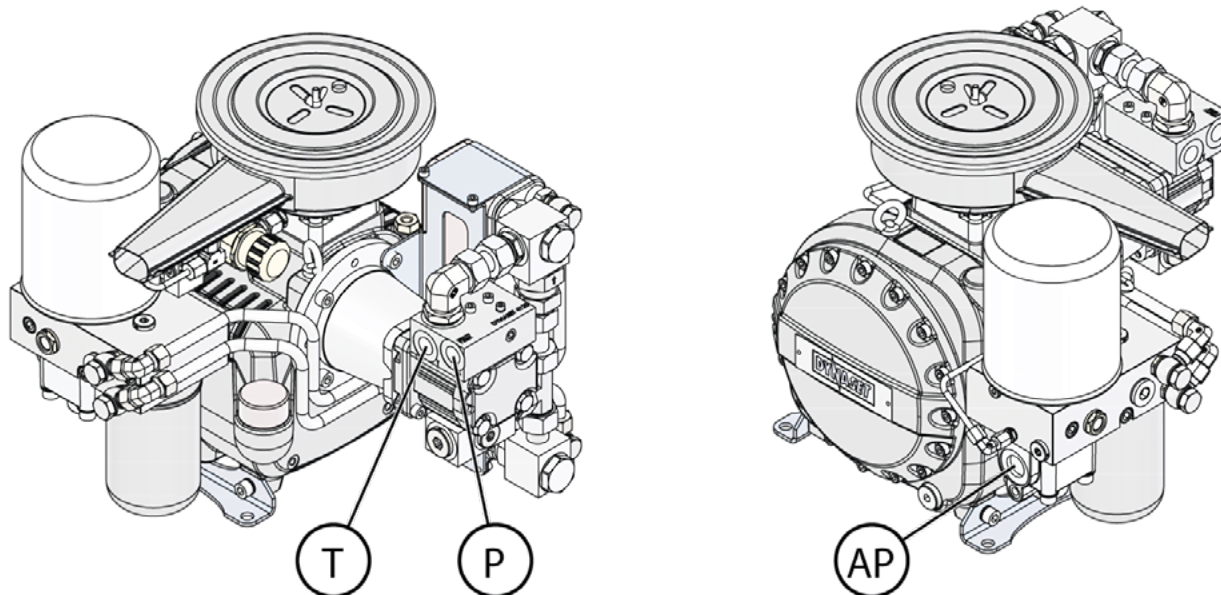
		HKR 2500 /10-67	HKR 4000 /10-104	HKR 5000 /10-137	HKR 7500 /10-183	HKR 11000 /10-184	HKR 11000 /10-270
<b>DISCHARGE CHARACTERISTICS</b>							
Flow rate max. at ref. conditions *	l/min (cfm)	2500 (88.3)	4000 (141.3)	5000 (176.6)	7500 (264.9)	11000 (388.5)	11000 (388.5)
Pressure max.	bar (psi)	10 (145)					
Compressed air connection	AP	BSP 3/4"	BSP 1"	BSP 1"	BSP 1 1/2"	BSP 2"	BSP 2"
<b>HYDRAULIC POWER REQUIREMENTS</b>							
Oil flow min.	l/min (gpm)	35 (9.3)	55 (14.5)	60 (15.9)	70 (18.5)	115 (30.4)	165 (43.6)
Oil flow nom.	l/min (gpm)	67 (17.7)	104 (27.5)	137 (36.2)	183 (48.3)	184 (48.6)	270 (71.3)
Oil flow max.	l/min (gpm)	80 (21.1)	105 (27.7)	140 (37.0)	200 (52.8)	190 (50.2)	275 (72.6)
Pressure at nominal flow	bar (psi)	205 (2970)	215 (3120)	210 (3050)	230 (3340)	345 (5000)	230 (3335)
Pressure max.	bar (psi)	230 (3340)	230 (3340)	230 (3340)	270 (3920)	380 (5500)	380 (5500)
Pressure when unloaded	bar (psi)	130 (1890)	140 (2030)	160 (2320)	-	-	-
<b>HYDRAULIC FLUID REQUIREMENTS</b>							
Viscosity	cSt	10-200 / optimum 25-35					
Temperature **	°C (°F)	max. 70 (158)					
Filter ratio	µm	25 or better					
Cooling capacity requirement	kW	13	22	27	40	-	-
<b>COMPRESSOR OIL REQUIREMENTS</b>							
Oil fill	l (gal)	4.9 (1.29)	10.8 (2.85)	10.8 (2.85)	27 (7.13)	45 (11.9)	45 (11.9)

Gallons are U.S. liquid gallons

\* According to ISO 1217 (1996) at discharge pressure of 6 bar.

\*\* Depending on hydraulic fluid.

### CONNECTION PORTS



MODEL	PRESSURE LINE	RETURN LINE	AIR OUTPUT CONNECTION
	P	T	AP
HKR 500 /10-29	BSP 1/2"	BSP 1/2"	BSP 1/2"
HKR 600 /15-26	BSP 1/2"	BSP 1/2"	BSP 1/2"
HKR 800 /10-43	BSP 1/2"	BSP 1/2"	BSP 1/2"
HKR 1300 /10-37	BSP 1/2"	BSP 1/2" *	BSP 3/4"
HKR 2000 /10-53	BSP 1/2"	BSP 1/2" *	BSP 3/4"
HKR 2500 /10-67	BSP 1/2"	BSP 1/2" *	BSP 3/4"
HKR 4000 /10-104	BSP 1"	BSP 1 1/4"	BSP 1"
HKR 5000 /10-137	BSP 1"	BSP 1 1/4"	BSP 1"
HKR 7500 /10-183	BSP 1"	BSP 1 1/4"	BSP 1 1/2"
HKR 11000 /10-184	G 1" - BSPP	G 1" - BSPP	G 2" - BSPP
HKR 11000 /10-270	G 1" - BSPP	G 1" - BSPP	G 2" - BSPP

\* Minimum return line hose/pipe inner diameter 19mm, (3/4").

**Note!** Location of connection ports varies between HKR models.



# HYDRAULIC SCREW COMPRESSORS

## DATA SHEET

---



Menotie 3  
FI-33470 Ylöjärvi, Finland  
tel: +358 3 3488 200  
info@dynaset.com



#### ELECTRICITY

HG Hydraulic Generator  
HGV POWER BOX Variable Hydraulic Generator System  
HGV Variable Hydraulic Generator System  
HWG Hydraulic Welding Generator  
HGG Hydraulic Ground Power Generator



#### HIGH PRESSURE WATER

HPW Hydraulic High Pressure Water Pump  
HPW Hydraulic Power Washer  
KPL High Pressure Street Washing Unit  
HPW-DUST High Pressure Dust Suppression System  
PPL High Pressure Pipe Cleaning Unit  
HPW-FIRE High Pressure Firefighting System  
FP Fire Fighting Piercing Kit  
HDF Hydraulic Drilling Fluid Pump  
JPL High Pressure Bin Washing System  
HSP Hydraulic Submersible Pump



#### COMPRESSED AIR

HK Hydraulic Piston Compressor  
HKL Hydraulic Rotary Vane Compressor  
HKR Hydraulic Screw Compressor



#### MAGNET POWER

HMG PRO Hydraulic Magnet Generator  
MAG Lift Magnet  
HMAG PRO Hydraulic Magnet



#### VIBRATION

HVB Hydraulic Vibra  
HVD Hydraulic Directional Vibra  
HRC Hydraulic Reversal Cylinder



#### POWER BOOSTING

HPI Hydraulic Pressure Intensifier  
HPI-C Hydraulic Pressure Intensifier for Cylinder



#### KNOW-HOW

Hydraulic Power Take-off (PTO)  
Hydraulic Power Unit Technology  
De-Icing Technology  
Installation Valves  
HHK Hydraulic Grinder  
HV/HVY Hydraulic Winch / Winch Unit

[www.dynaset.com](http://www.dynaset.com)

